

APPLICATION:

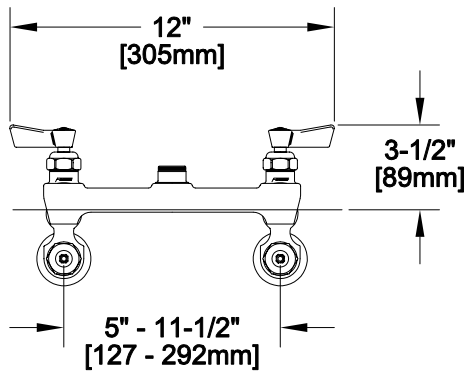
JOB NAME:

QUANTITY: ITEM NO.

PRODUCT NAME:
8" ADJ. WALL CONTROL VALVE WITH ECCENTRIC STOPS

SPECIAL CONFIGURATION
 CHECK BASE MODEL AND OPTIONS

MODEL:
■ 3201



OPTIONS OR MODIFICATIONS:

SUPPLY LINES (24" OR 36") CIRCLE LENGTH

NIPPLES

ELBOWS

HANDLES (CROSS OR WRIST) CIRCLE STYLE

VANDAL RESISTANT KIT

OTHER _____

- FEATURES
- CONTROL VALVE
- * KEY-STOP ECCENTRICS ADJUST FROM 5" TO 11-1/2"
 - * SWIVELLING SEAT DISKS
 - * HOT SIDE STEM - RIGHT HAND
 - * COLD SIDE STEM - LEFT HAND
 - * STAINLESS STEEL SEATS
 - * STAINLESS STEEL SEAT SCREWS
 - * STAINLESS STEEL HANDLE SCREWS
- SYSTEM LIMITS
- * TEMP: 40°F MIN. TO 140°F MAX.
 - * PRESSURE: 200 PSI MAX. STATIC
 - * 13.6 GPM @ 80 PSI

SHIPPING WEIGHT

- * 5.0 LBS

ROUGH-IN:

